

# ConX-D200 Barbet Robot Demolition Rig

## D200



### FEATURES

- High frequency hydraulic breaker hammer attachment
- Electric-powered oil refill pump controlled directly from the remote
- Heavy duty phase rotation switch
- Robust construction and ease of maintenance
- Full diagnostic display on the remote control screen
  - Hammer speed indicator
  - Operating mode indicator - (tramming, hybrid, work)
  - Fault indicator
  - Hour meter
  - Hydraulic level
  - Hydraulic oil temperature
  - Tramming speed selector mode indicator
  - Remote battery charge status indicator
  - Remote signal strength indicator
  - E-stop condition indicator
  - Alert screen - Fault code error and fault description
  - Maintenance interval indicators
  - Filter clogging status indicators
  - Digital data logging

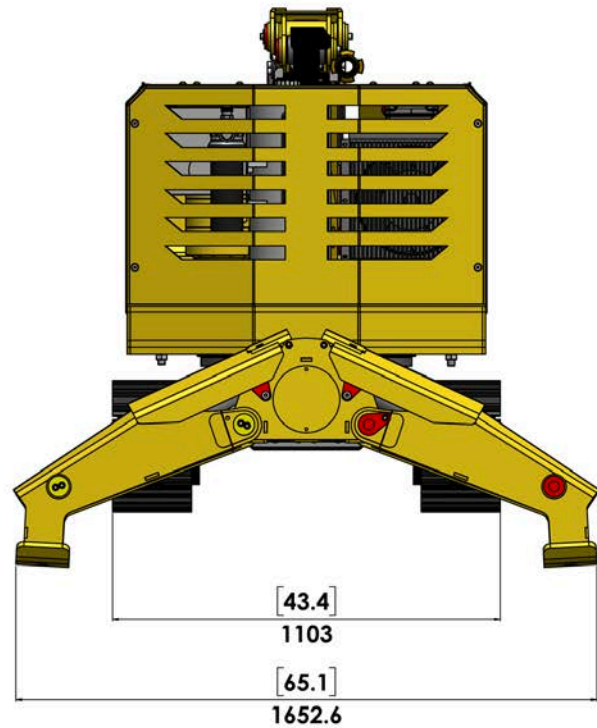
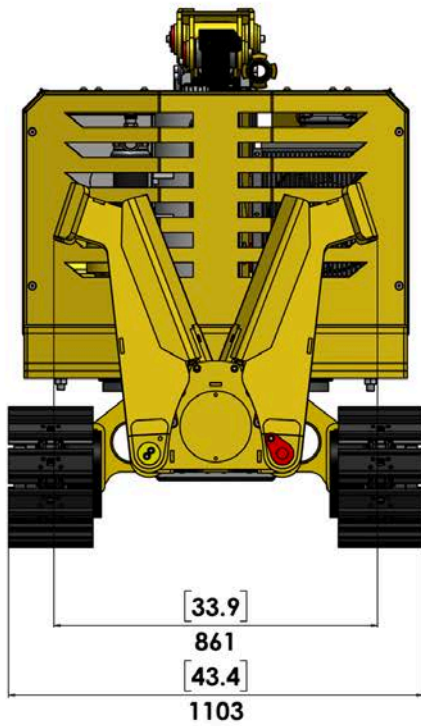
### SAFETY

- Emergency Stops on remote control & machine
- Spot Lights
- Area Light
- Remote control operation
- Outrigger stabilisers (front and rear)

### APPLICATION

- Remote demolition applications - hazardous areas
- Remote demolition application - limited access areas

# ConX-D200 Barbet Robot Demolition Rig



## SPECIFICATIONS

### Hydraulic Breaker

Montabert SD22 \*\* (high frequency breaker)

### General Dimensions

Length (transport)	2035 mm
Width	1103mm
Height (transport)	1435mm
Weight	2700 kg
Min Ground Clearance	202 mm

### Performance

Maximum Trimming Speed	1.8 kph (LR)	2.5 kph (HR)
Slewing Speed	25 sec/rev	
Incline max.	20°	

### Hydraulic System

Maximum Hydraulic System Pressure	170	Bar
Maximum Hydraulic System Flow	67.5	lpm
Blast Fan Oil Cooler		
Cyclone Oil Reservoir	20	GPM
Oil Refill Pump	24	VDC

### Electric System

Electric Motor	18.5kW, 400VAC, 4P, 50Hz
Control System	Danfoss Micro-controller, 24VDC
Remote Control	SCANRECO RC400 G3B

# ConX-D200 Barbet Robot Demolition Rig

