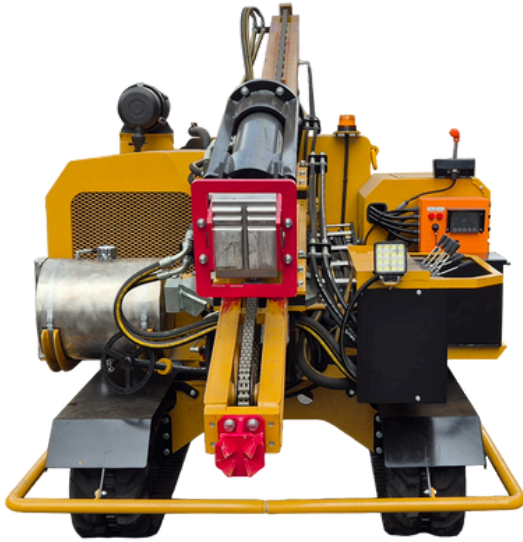


# CMP4-3200 IMPI MICRO PILING & DRILLING RIG

## CMP4-3200



### FEATURES

Multipurpose – Ramming & drill rig.

Versatile – Machine can be simply adapted in a short time to any required application, purpose specific equipment development with unbeatable turnaround time.

Robust – Built and designed to handle the most unforgiving conditions.

User Friendly – Designed with customer in mind, quick to service, easy to maintain, quick to replace parts and technology that is reliable and easy to understand.

Affordability – Wear parts designed to be robust, available and are not influenced by R.O.E.'s and high import freight charges.

Local – Manufactured and fully supported by a proudly South African team.

Support – The team behind the machine will support you with recognized technical and operator training to keep your machine performing optimally.

### APPLICATION

Road Works – Armco barrier posts, sign posts – no digging or concrete.

Limited access drilling – Modular design can be stripped, moved and assembled in short time.

Agriculture – vineyard posts, fence posts.

Solar – Post ramming, drill post holes and drill postholes through hard rock.

Top hammer drilling

### OPTIONAL ATTACHMENTS

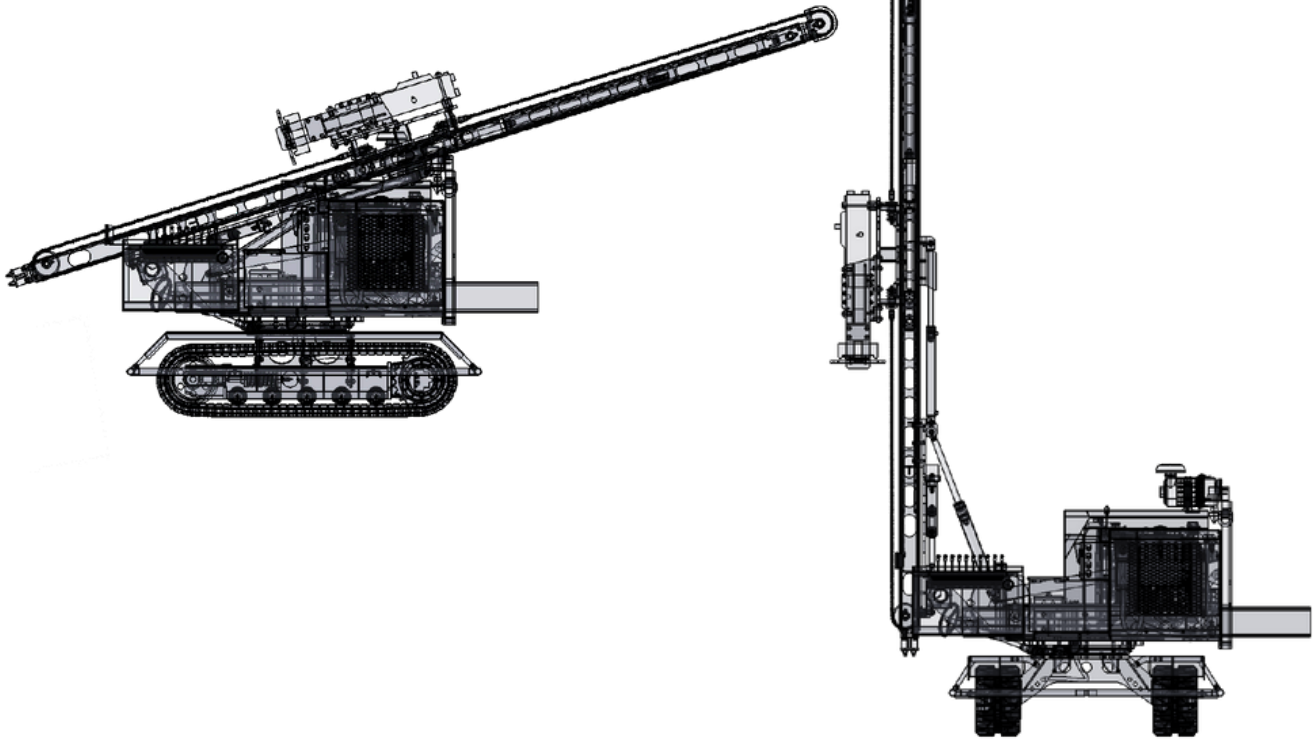
Piling hammer - Poqutec PBV50 Hydraulic Hammer

Top Hammer - Doofer DF530S Rock Drill

Other options are available on request.

# CMP4-3200 IMPI MICRO PILING & DRILLING RIG

## CMP4-3200



### SPECIFICATIONS

Physical Dimensions		Diesel Power	Water Cooled	Air Cooled
Transport Height	2,440 mm	Diesel Engine	HATZ 3H50TI SP	KIRLOSKAR HA 494
Width	2,035 mm	Emissions Tier	Tier 4	Tier 2
Transport Length	5,420 mm	Power	42kW	Air 44kW
Weight	3,850 kg (ref.)	Diesel Tank Capacity	60 Litre	
Min Ground Clearance	350 mm	<b>Hydraulics</b>		
<b>Piling &amp; Drilling</b>		Max Hydraulic Oil Flow	100 lpm	
Max Post/Drill String Length	4,000 mm   4,700mm*	Max Hydraulic Oil Pressure	190 Bar	
Max Working Distance From Edge	1,900 mm	Max Oil Reservoir Capacity	18 Litre	
Max Drill Feed	3,200 mm	<b>Electrics</b>		
Max Feed Force (Down)	17,65kN	Control Voltage	12 VDC	
Max Feed Force (Up)	32,75kN	<b>Pneumatics</b>		
		Compressor*	30 CFM @ 8 Bar	

\*4700mm post possible with extended bolt on foot pieces.

\*Optional: for the top hammer drilling version.