

CM-UV20C 37kW ELECTRO/HYDRAULIC UTILITY VEHICLE



FEATURES

- Utility service vehicle fitted with a 10.5 t/m crane, compressor and bench vice.
- Compressed air takeoff points
- Able to Tram with load secured on UV deck
- Electro/hydraulic, skid steer
- Flameproof Ex d 115°C
- ROPS/FOPS driver canopy
- Lockable tool box cabinet
- Front stabilizer jacks
- Automatic, spring applied park brake
- Large heavy duty bench vice

APPLICATION

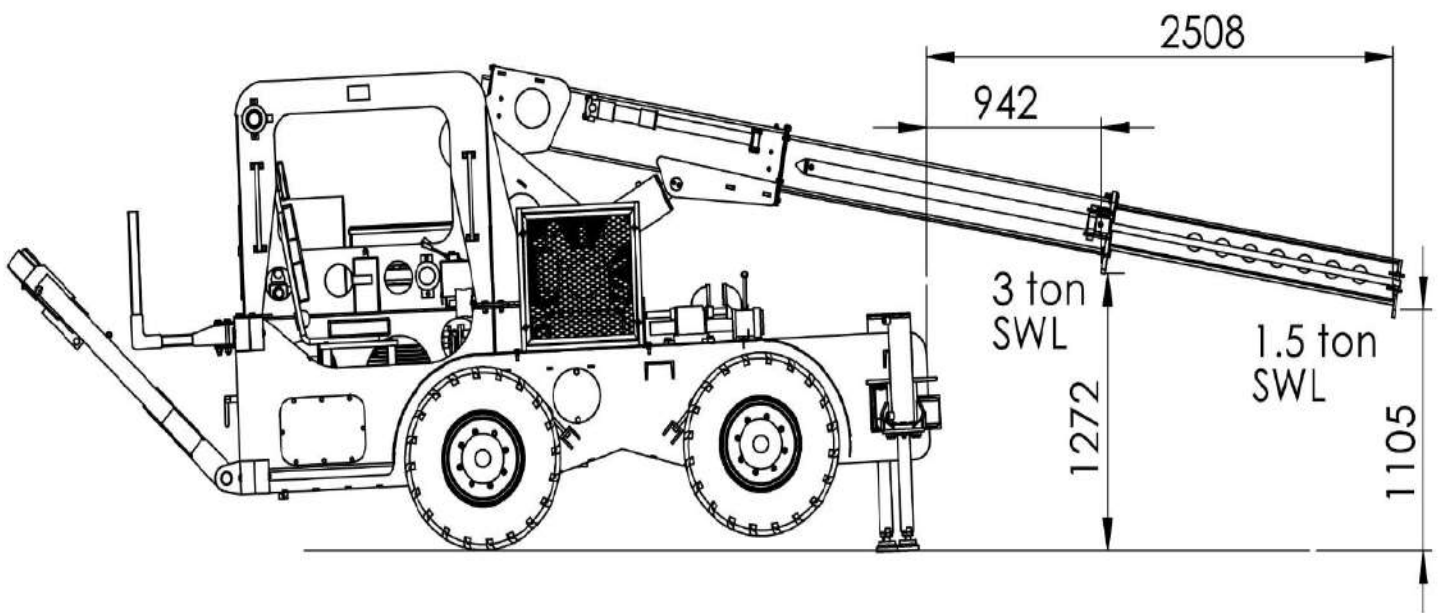
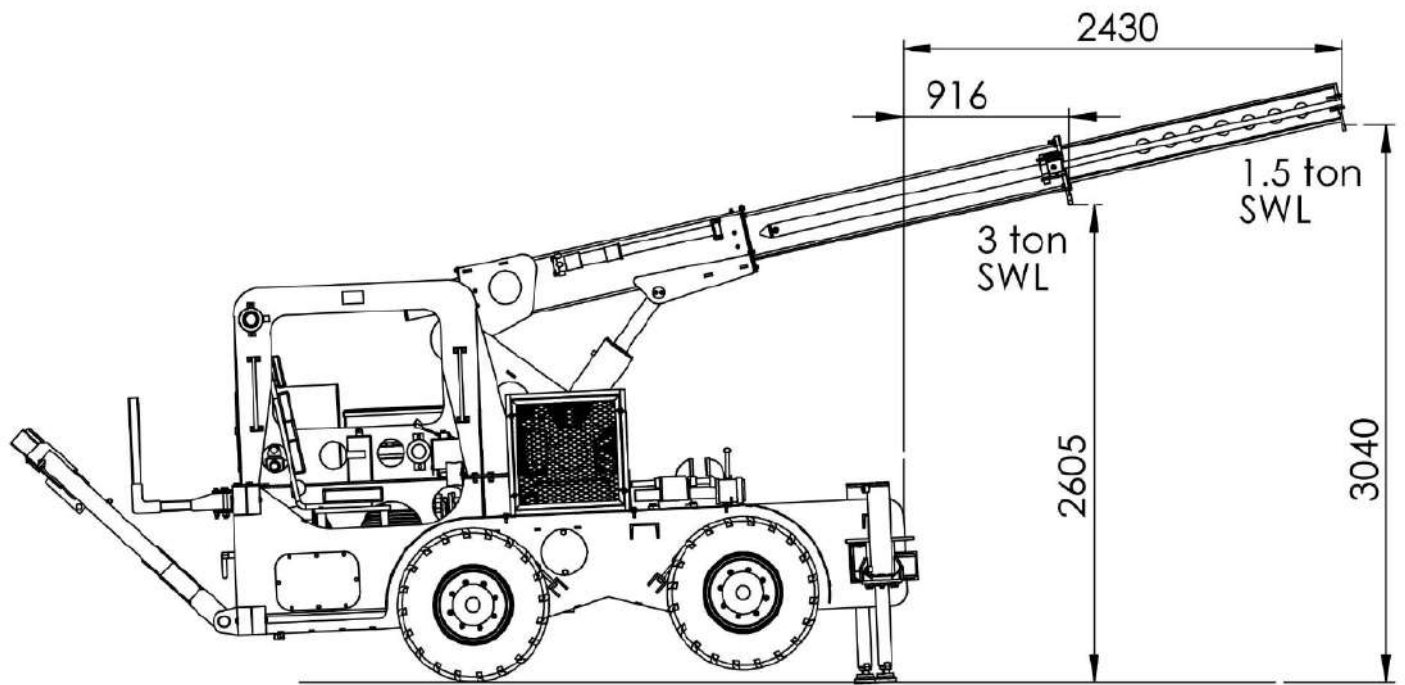
- Loading in and out of heavy mining machine components (i.e. planetary gearbox)
- Transportation of large items on loading deck
- Mobile work bench with bench vice and pneumatic air take-off points
- Hand tool storage for mobile work station

SPECIFICATIONS

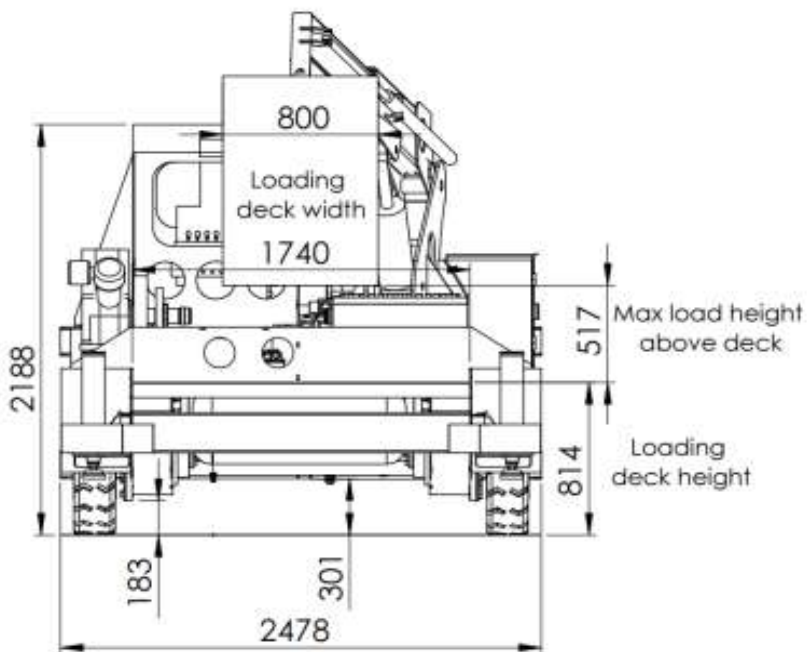
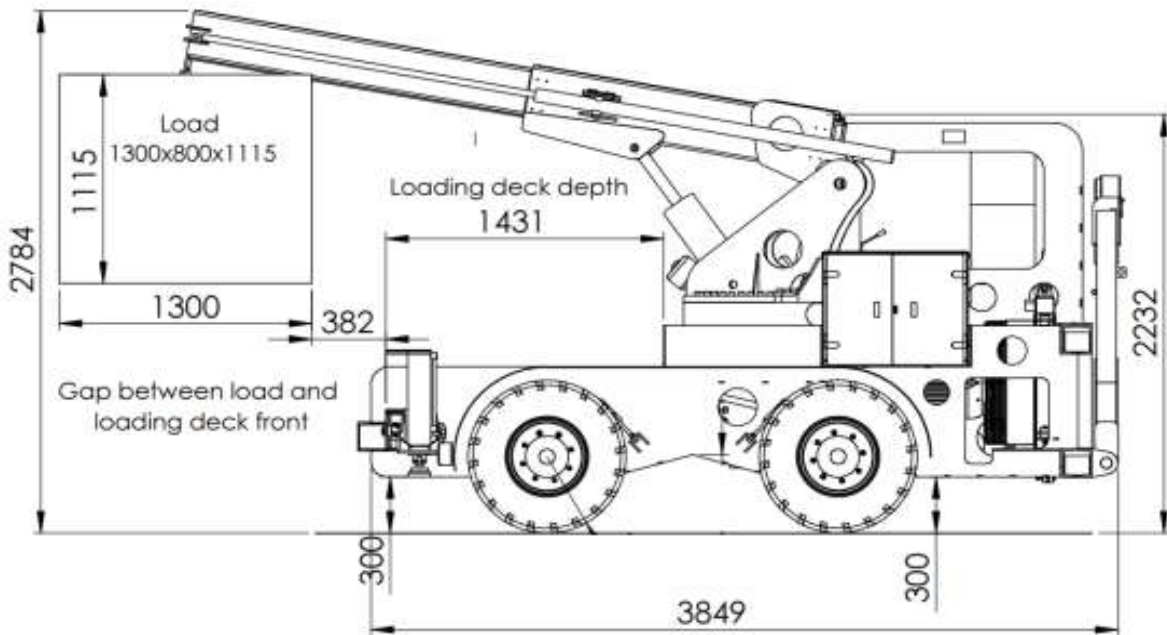
Physical Dimensions	
Transport Height	2,232 mm
Width	2,478 mm
Transport Length	3,912 mm
Weight	7,000 kg (REF)
Min Ground Clearance	301/183 mm
Crane Dimensions	
Crane	10.5 t/m crane
Loading Deck	1,431 mm (l) x 1,740 mm (w)
Max Crane Angle (Slew)	51°
Max Lifting Height	3040 mm
Max Lifting Capacity	3 Ton at 1m
	1.5 Ton at 2.5m
Electric Power	
Prime Mover	37kW, 525/1000 VAC
Hydraulics	
Max Oil Flow	150 lpm
Max Oil Pressure	210 Bar
Max Tank Capacity	275 Litre
Pneumatics	
Compressor*	5.5kW, 12 CFM, Reciprocating Piston
Max Operating Pressure	8 Bar
Air Receiver	120 Ltr
Safety relief valve	Set at 8 Bar



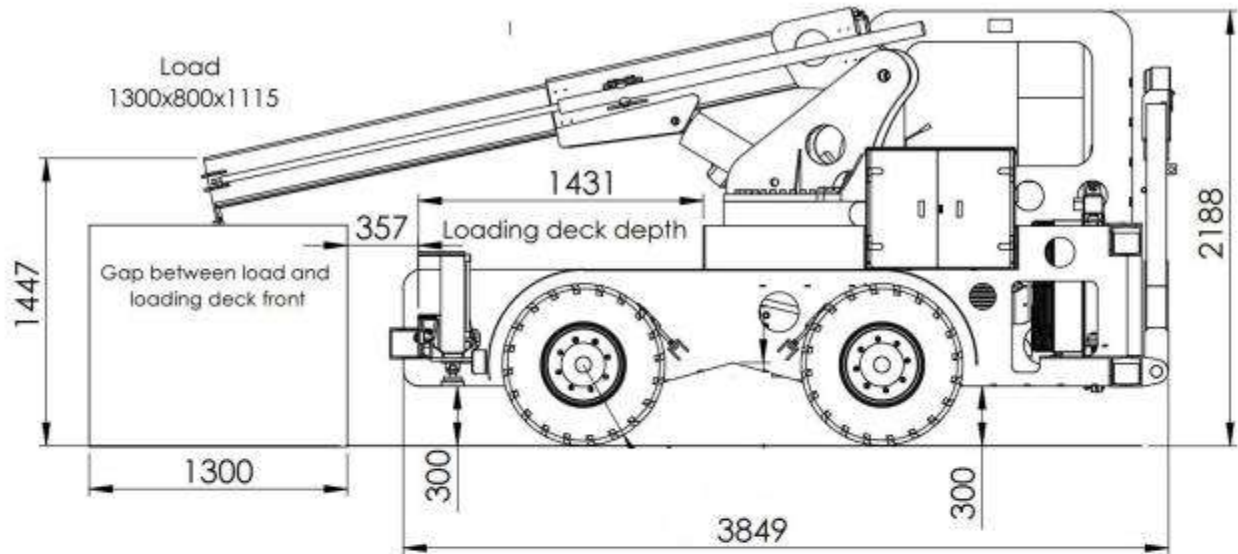
37kW ELECTRO/HYDRAULIC UTILITY VEHICLE



37kW ELECTRO/HYDRAULIC UTILITY VEHICLE



37kW ELECTRO/HYDRAULIC UTILITY VEHICLE



37kW ELECTRO/HYDRAULIC UTILITY VEHICLE

