



## MANTIS

### CMR7 Series Electro-Hydraulic Crawler Rig Roofbolter/Face Drill.



- Available with the following 3 drilling feedframe options:
1. Two-stage telescopic feedframe with rotary drilling.
  2. Fixed boom with hydraulic drifter for percussion drilling.
  3. Interchangeable Option of 1 and 2.

- Available with the following power options:
1. Electric.
  2. Diesel.
  3. Combination of diesel and electric.

## APPLICATION

Secondary Support Bolting;  
 Roof and Rib Bolting;  
 Cable Anchor Installation;  
 Face Drilling;  
 Roof Coring;  
 Water Hole Drilling

## FEATURES

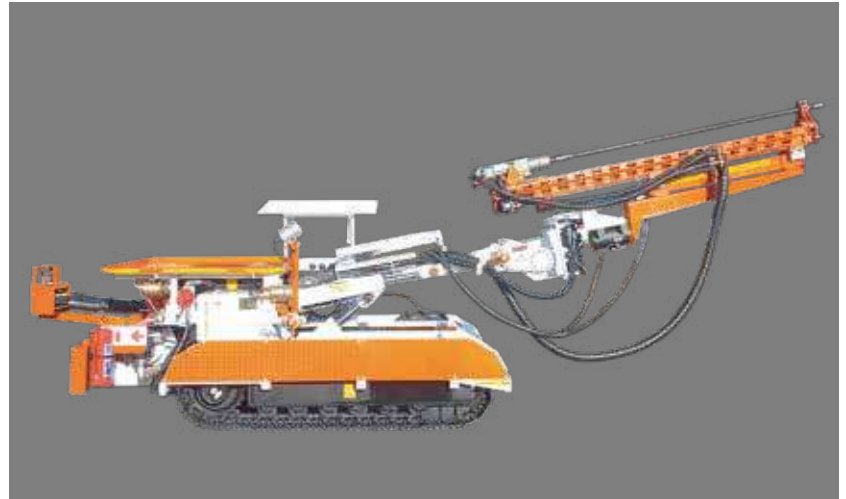
Excellent stability & manouverability (track driven, skid steer).  
 Narrow gauge for easy access to tight areas.  
 Walk behind tramming control with deadman selector valve.  
 2-Stage telescopic rotary drilling feedframe.  
 Optional bolt on percussion feedframe with hydraulic drifter.  
 Highly efficient 2 operator bolting operation (operator and offsider).  
 Typically 3 times more productive than standard portable roofbolters.  
 Robust, easy to operate and maintain.

## SPECIFICATIONS

Transport Height	1,350 mm
Width	1,995 mm
Length - Telescopic Feedframe	4,720 mm
Length - Fixed Boom	7,300 mm
Minimum Ground Clearance	255 mm
Weight	6,150 kg - 7,000kg
Flameproofing	Ex d 1, Zone 1, 150 °C

Electric Motor	30 kW, 525/1000 VAC
Diesel Engine	CAT 2.2 rated 45 kW @ 2100 rpm
Hydraulic System	
- Max Pressure	210 Bar
- Max Flow	130 lpm
- Tank Capacity	250 lt





## ROTARY DRILLING

2 Stage Telescopic Feedframe with Rotary Drill	CFF 140 Feedframe	CFF 280 Feedframe
Feedframe Height (fully collapsed)	1,400 mm	2,060 mm
Max Supported Drilling Height	2,300 mm	3,800 mm
Max Drill Travel	1,510 mm	2,800 mm
Max Feed Thrust	1,450 kg	
Water Box Drill Head	Series 3	
Max Torque	375 Nm set to 250 Nm	
Max Speed	600 rpm	
Chuck Size	22 mm Hex	
Max Water Pressure (Flushing)	8 Bar	

## PERCUSSION DRILLING

Fixed Boom with Hydraulic Drifter (Rotary & Percussion)	CFF 240 Feedframe
Feedframe Length	3 132 mm
Max Drill Travel	2 300 mm
Max Height for horizontal drilling	3 250 mm
Min Height for horizontal drilling	150 mm
Max Feed Thrust	450 kg
Hydraulic Drifter	Doofor DF530S
Max Torque	175 Nm
Max Speed	250 rpm
Shank Size	R32
Max Water/Air Pressure (Flushing)	8 Bar

## SAFETY

Deadman Selector Valve for Trimming / Drilling Operations (with mechanical valve lock).  
 Drill Rotation Isolator Valve\*.  
 Prestart Warning Siren.  
 Trimming Alarm.  
 Fire Extinguisher.  
 Multiple E-Stops Around Unit.  
 Drilling Control Operator FOPS\*.  
 Optional Timber Jack FOPS\*.  
 Optional PDS Ready to Mine Specification.

\*2-Stage Telescopic Feedframe.

## DOCUMENTATION

Operator & Technician Manual  
 Risk Assessment  
 FLP Certification



+27 (11) 817 2295

sales@conaxms.co.za

www.conaxms.co.za