



S3 ROTATION UNIT

Rotary Drilling & Bolting Head

APPLICATION

Rotary Drilling.
Roof bolt installation.

FEATURES

- Reliable unit with high availability.
- Very powerful high torque, high speed motor.
- Robust and easy to maintain.
- Easy to replace water cartridge seals, with the removal of three cap screws and a circlip.
- Serviceable chuck – up to 3 times.
- Optional rod retractor for safer rod handling.
- Mounting plate can be made to suit client requirement.



SPECIFICATIONS

Model	CM-S3	CM-S3S
Physical Dimensions		
Length (excl. optional rod retractor)	377 mm	317 mm
Length (incl. optional rod retractor)	520 mm	460 mm
Height	135 mm	
Width	200 mm	
Chuck Size	22 mm Hex	
Weight	30.4 kg	
Specifications		
	Continuous	Intermittent
Max Torque	375 N.m	495 N.m
Max Rotation Speed	600 rpm	720 rpm
Max Oil Flow	75 lpm	90 lpm
Max Oil Pressure	210 bar	275 bar
Max Water / Air Flushing Pressure	8 bar	10 bar

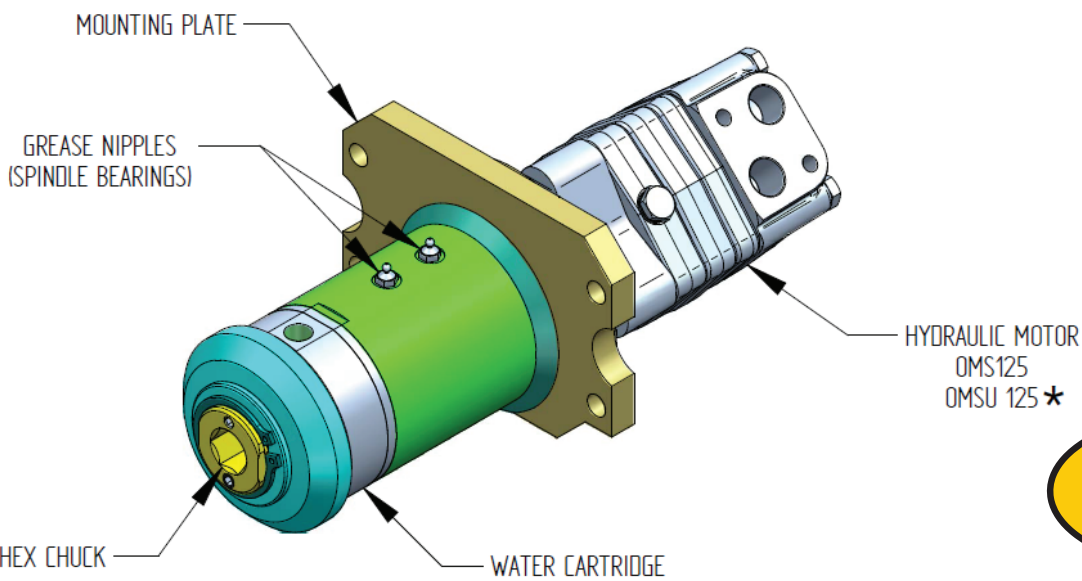
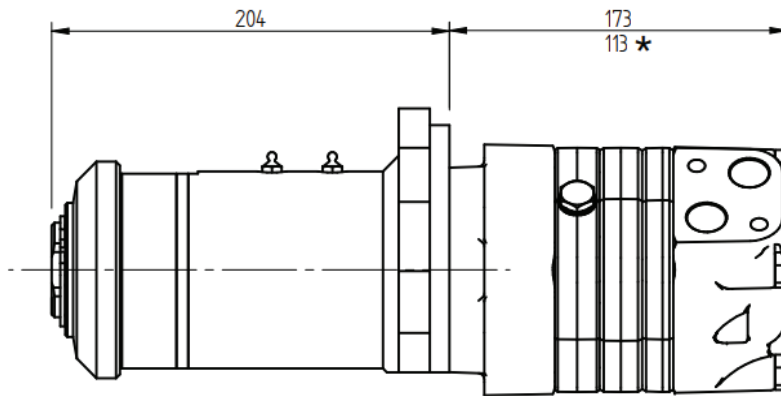
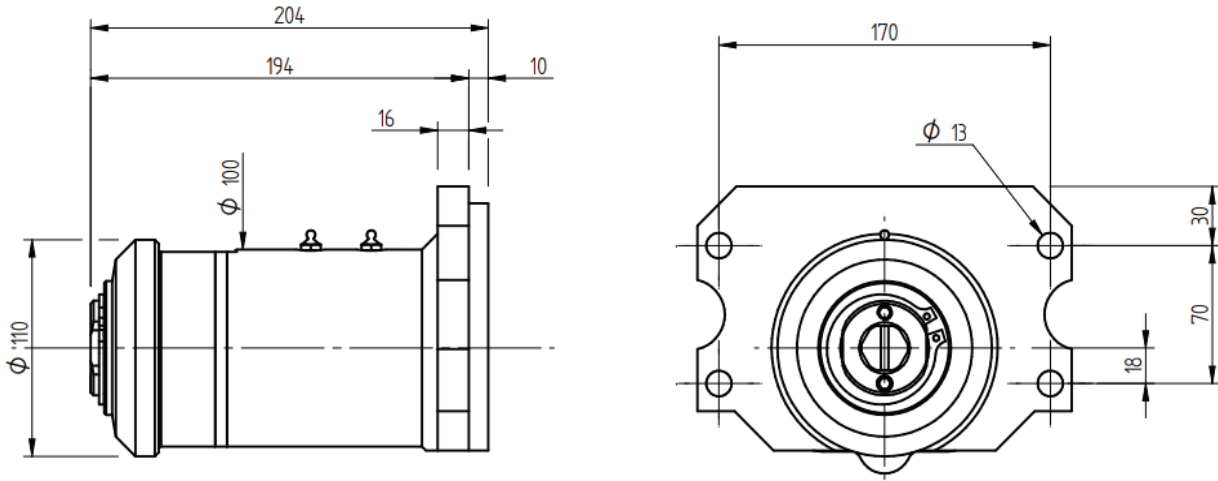
+27 (11) 817 2295

sales@conaxms.co.za

www.conaxms.co.za



Conax Machine Solutions Pty Ltd



+27 (11) 817 2295

sales@conaxms.co.za

www.conaxms.co.za

